



AB ilmonte

AB ILMONTE
Nattflyvägen 7
SE-313 50 ÅLED (Halmstad)
Phone: +46-(0)35-18 19 40
sales@ilmonte.se

AB ilmonte



Audyt III

Descriptions

- 1 A flame-retardant fabric and polyurethane foam of high quality ensure seating comfort for many hours.
- 2 The rear of the backrest is made of high quality ergonomically profiled multi-layer plywood.
- 3 An upholstered seat cushion is filled with foam molded in injection molding technology which ensures high resistance to deformation of the foam.
- 4 The cover of the seat made of high quality multi-layer plywood lacquered or upholstered.
- 5 The writing tablet is made from multi-layer lacquered plywood or coated with high pressure laminate (HPL) or from furniture board.
- 6 A folding gravity mechanism enables automatic folding through the use of properly selected counterweight placed inside the upholstered seat. The mechanism is fail-safe, quiet and maintenance-free.
- 7 The steel frame is made from closed profiles having dimensions of 30 x 50 x 2 mm bent at an angle of 12° as well as those of 30 x 18 x 2 mm, powder coated in a desired RAL color.
- 8 The armrest made from a single piece of plywood, bent in two places in the shape of the letter „C“.
- 9 The foot supporting the seat is made from sheet metal having a thickness of 8 mm and ending at the front and back with 50 mm radii fixed to the base surface with two counter-sink screws per head screws.

Additional options



Cassette

stable, made of solid wood combined with high-grade plywood, mounted on the back.

Basic

reliable, quiet and maintenance-free mounted on the back.

LTS

a modern shape of the mechanism with the option of fitting the cover colored in any RAL color, mounted on the back.



- A Armrest type C
- B Armrest type L
- C Basket
- D Power point

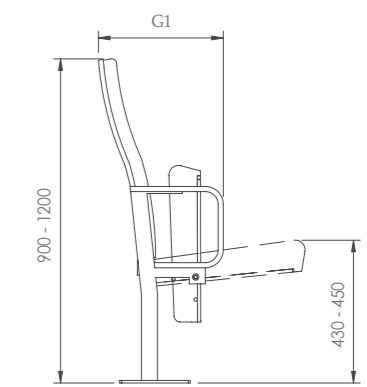
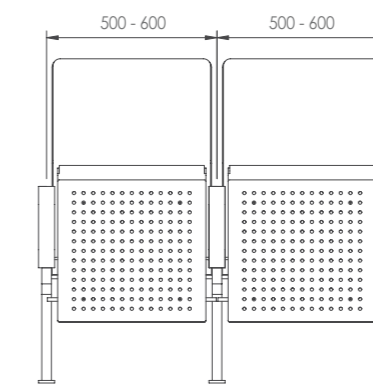


seat with a lacquered cover
 seat with an upholstered cover
 seat with a perforated cover
 fully upholstered seat

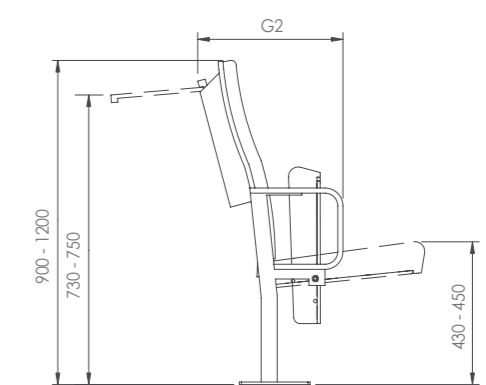
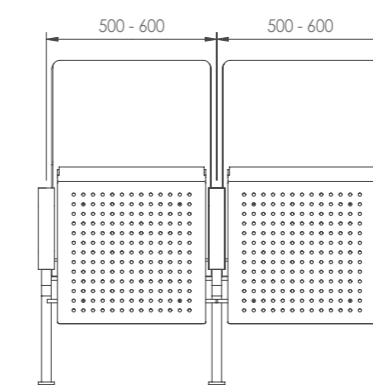
Technical data

Mechanism type	G1 (mm)	G2 (mm)	G3 (mm)
Basic	390 - 420	440 - 470	240 - 270
LTS	390 - 420	470 - 500	270 - 300
Cassette	390 - 420	450 - 480	250 - 280

S - seat



SP - seat and writing tablet



FP - front panel

